

Figure 1

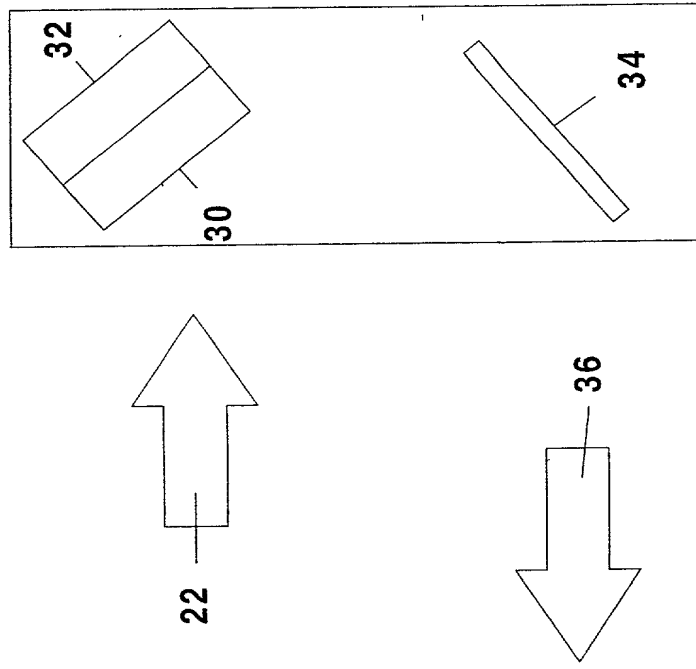


Figure 2

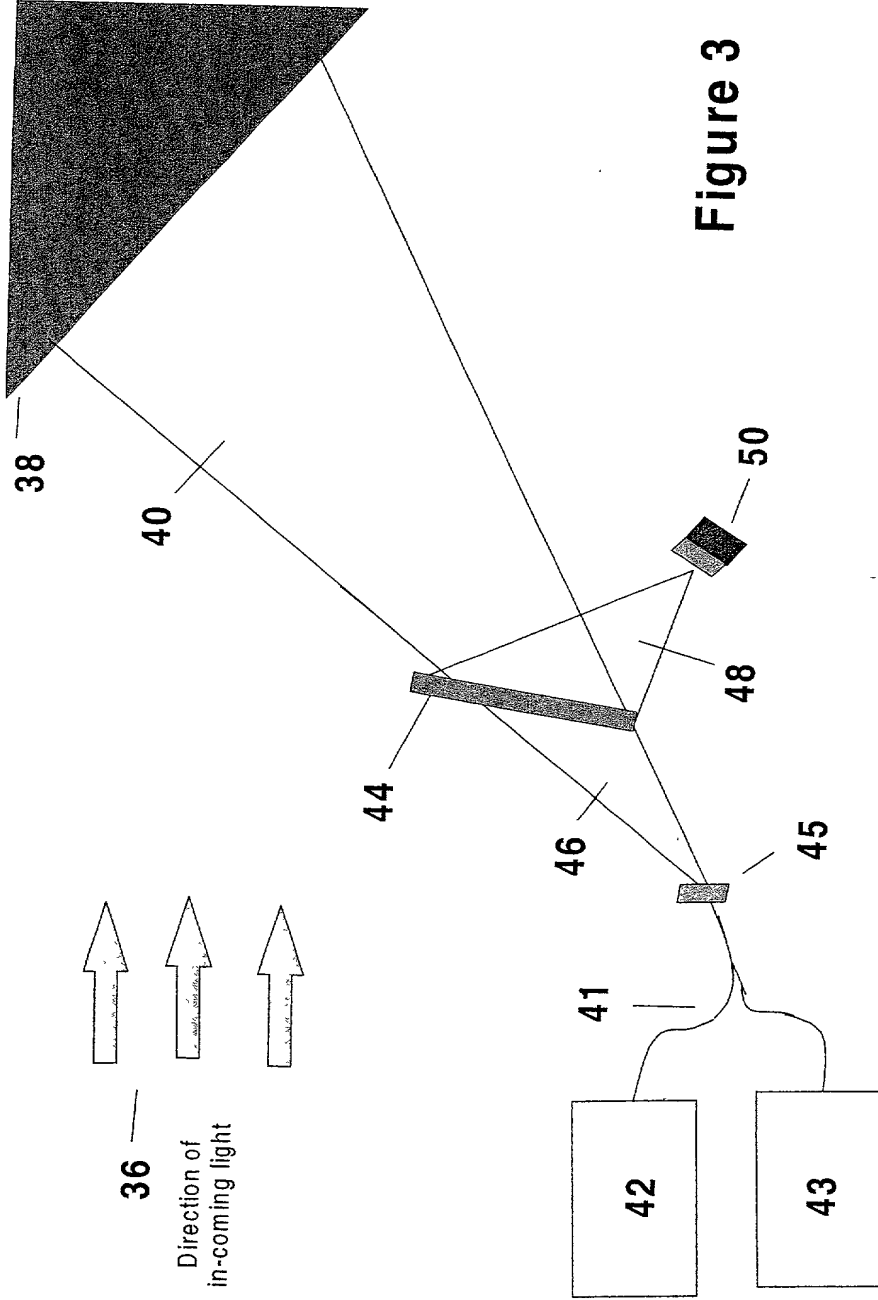


Figure 3

099422-12101

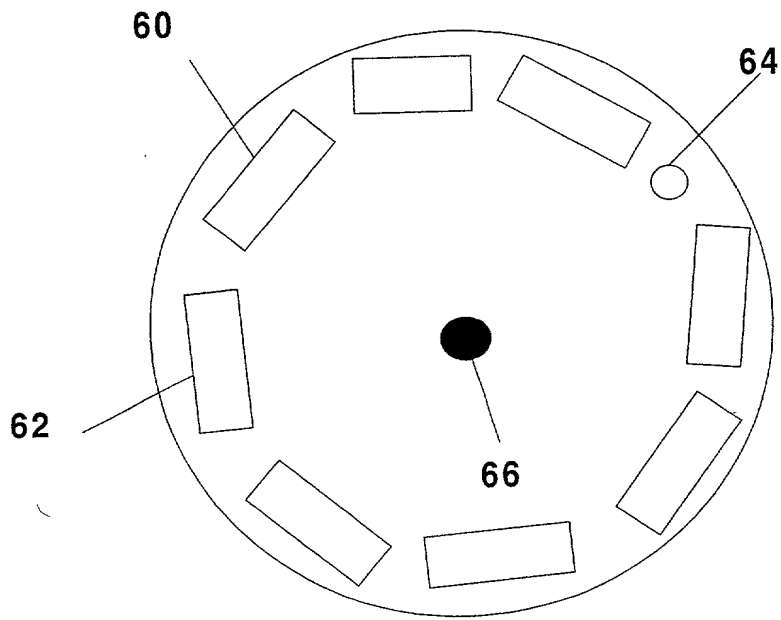


Figure 4

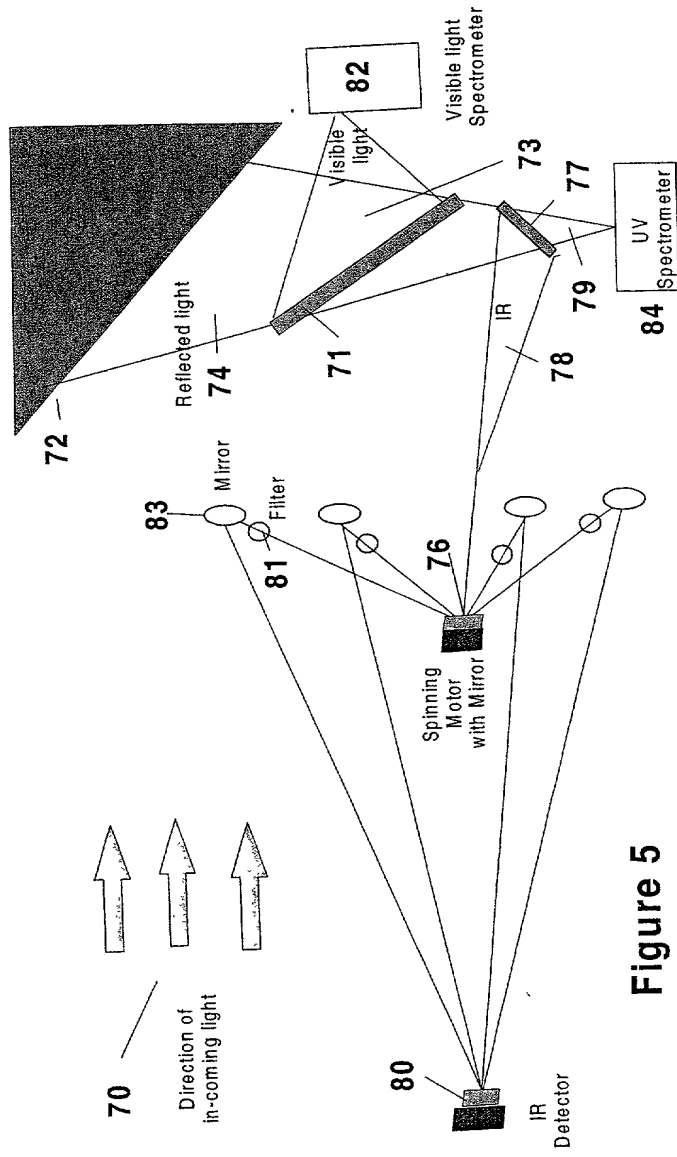


Figure 5

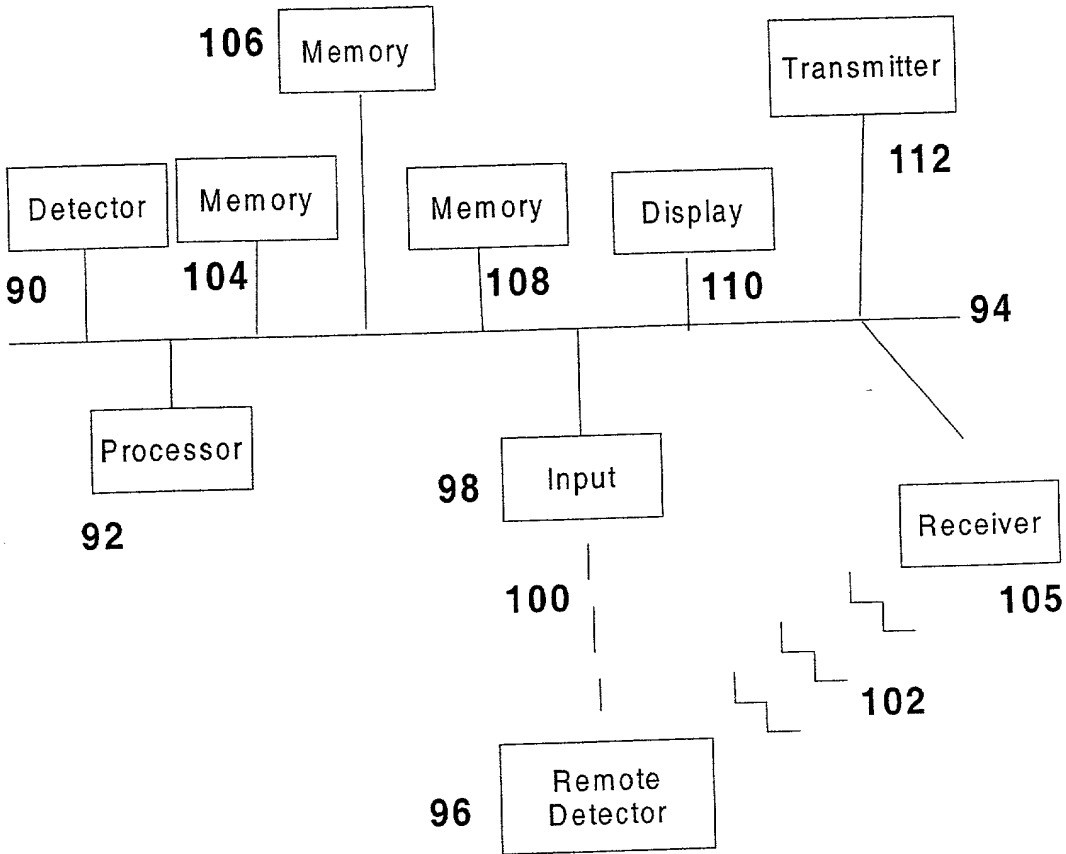


Figure 6